



Command device

Carrying rod RUV with ES 14 20/1S 1m

Material number.: 1457003

Features/Options

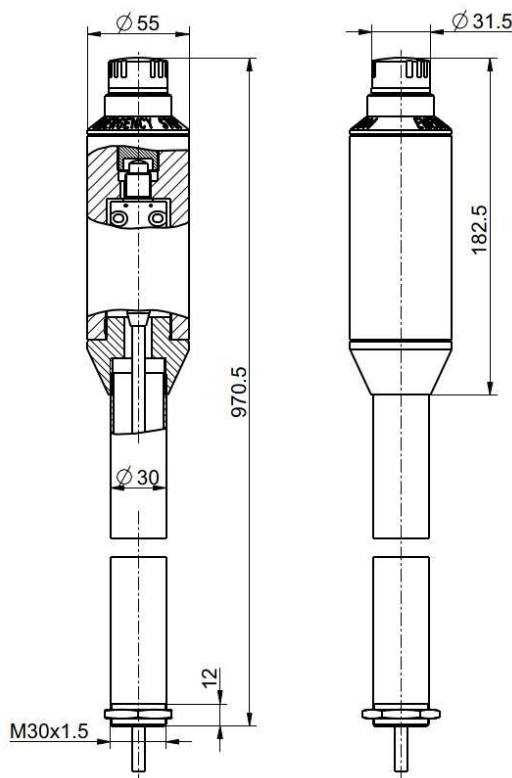
- Thermoplastic enclosure
- Double insulated
- With pre-wired cable
- Actuator: Emergency-stop push-button QRBUV_622
- Actuator made of plastic

- With collar to prevent blocking
- Reset by turning clockwise and left rotation
- With pressure-point to protect against unintentional actuation
- Carrying rod for further installation

Note

- 1 x nut M30x1.5 is included in the delivery

Dimensions

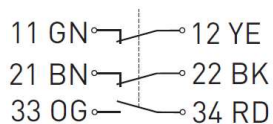


Technical Data

Standards	EN ISO 13849-1; EN 60947-5-1
Enclosure	glass-fibre reinforced, shock-proof thermoplastic, self-extinguishing UL 94-V0
Degree of protection	IP 67 to IEC/EN 60529
Contact material	silver
Switching system	slow action, positive break
	NC contacts \ominus
Switching elements	2 NC/ 1 NO contact, type Zb
Connection	pre-wired cable 6 x AWG 20
Cable cross-section	6 x 0.56 mm ²
Cable length	1 m
B _{10d} (10 % Load)	60 000
T _M	max. 20 years
U _{imp}	4 kV
U _i	250 V
I _{the}	6 A
I _e / U _e	6 A/250 VAC; 0.25 A/230 VDC
Utilisation category	AC-15; DC-13
Max. fuse rating	6 A gG/gN fuse
Ambient temperature	- 20° C ... + 75° C
Mechanical life	> 30 000 operations
Frequency of operation	1800/h
Contact opening	2 x 4 mm

Errors and omissions excepted.

Contact diagram



Switching diagram

