



## Laser sensor RF 96 SDS SW915-NET Article no.: 1323956

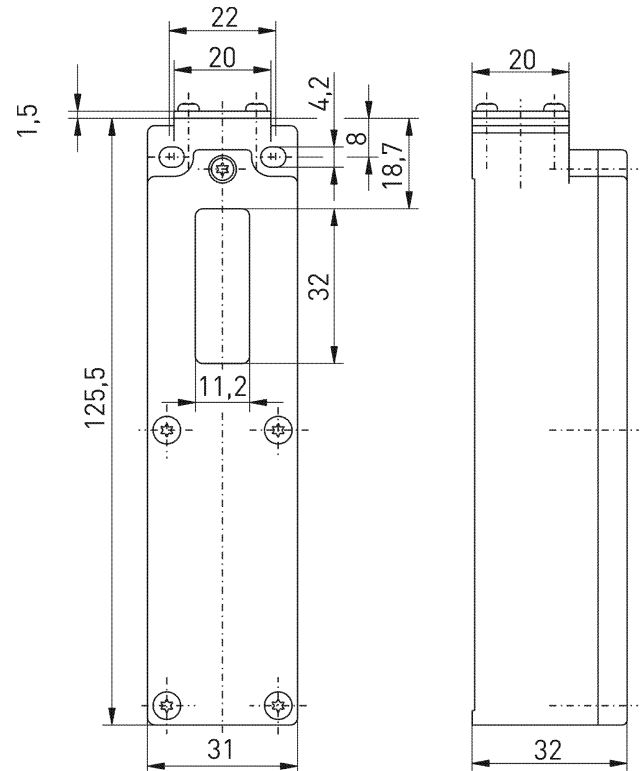
### Product features

- sWave.NET® wireless technology
- Laser sensor: Logging with IR laser
- Impervious to optical interference from industrial surroundings
- Configurable online via wireless interface
- Simple operation and integration in existing ERP systems via Sensor Bridge
- Simple assembly in commercially available standard shelves
- Power supply by Lithium battery (replaceable)

#### Notes

- The battery must be ordered separately

### Dimensions



### General technical data

#### Applied standards

EN 60947-5-2, EN 61000-6-2, EN 61000-6-3, EN 301 489-1, EN 301 489-3, EN 300 220-1, EN 300 220-2

#### Enclosure

thermoplastic, glass-fibre reinforced, shockproof, self-extinguishing UL 94 V-0

#### Tightening torque

M4 enclosure mounting screws: max 1.2 Nm  
M2.5 cover screws: approx. 0.45 Nm

#### Degree of protection

IP54 (IEC/EN 60529)

#### Sensor

logging with IR laser

#### Laser class

Class 1 to EN 60825-1; 950 nm

#### Ambient temperature

0 °C ... +65 °C

#### Operation cycles

max. 7200 telegrams with repetitions/h

#### Switching frequency

adjustable 1 Hz to 0.032 Hz, default 0.2 Hz

#### Cycle time

adjustable, default 5 s, min. 1 s, max. 31 s

#### Switching distances

0 - 5 cm ... 0 - 50 cm, adjustable in 1 cm steps

#### Accuracy

± 20 mm

#### Field of view

27°

#### Hysteresis

one side, default 4 cm, adjustable in 1 cm steps

#### Standby current

130 µA with default settings (5 s cycle time)

#### Actuating time

min. 20 ms

#### Note

transmission of battery voltage and switching condition

Errors and omissions excepted.



## Laser sensor RF 96 SDS SW915-NET Article no.: 1323956

### General technical data (contd.)

---

#### Wireless approvals

USA: FCC - XK5-RFRXSW915  
Canada: IC - 5158A-RFRXSW915  
Mexico: IFT - RCPSTRF17-1886

#### Mounting

screws M4

### Wireless technology

---

#### Protocol

sWave.NET®

#### Data rate

66 kbps

#### Frequency

915 MHz (USA, Canada, Mexico, Australia)

#### Channel bandwidth

550 kHz

#### Transmission power

< 25 mW

#### Wireless range

max. 450 m outdoors, max. 40 m indoors

### Voltage supply

---

#### Voltage source

lithium battery Tadiran TL-5920 (replaceable), alternatively  
SL-2770

#### Nominal voltage

3.6 V

#### System

Li/SOCl<sub>2</sub>

#### Nominal capacity

8.5 Ah

### Alternative voltage supply

---

#### Voltage source

lithium battery Tadiran SL-2770 (replaceable)

#### System

Li/SOCl<sub>2</sub>

#### Nominal voltage

3.6 V

#### Nominal capacity

8.5 Ah

#### Battery life

Typical values with default settings.

Actuation interval

10 s: approx. 5.7 years

100 s: approx. 6.2 years

1,000 s: approx. 6.2 years

10,000 s: approx. 6.2 years

N.B.: Changes in battery lifetime are almost linear to changes in cycle time.