



## Accessories for magnetic sensors

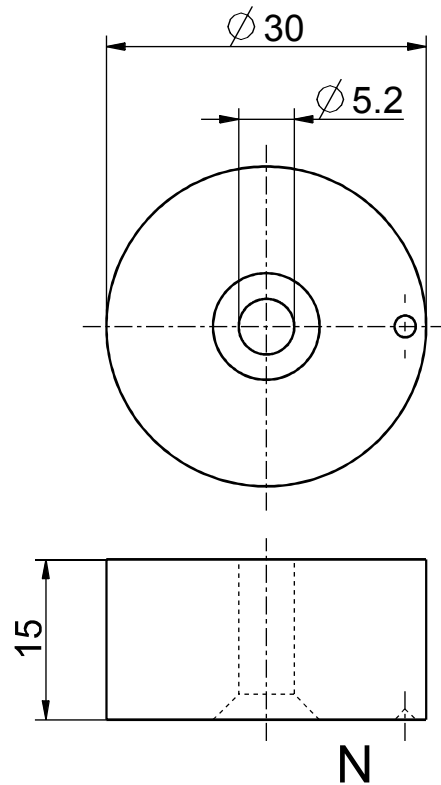
### Actuating magnet M 30 Niro

Material no.: 1189024 (material no. old: 05.00.8226)

#### Product features

- Enclosure: stainless steel 1.4571
- Magnet: NdFeB
- Temperature resistant from -60 °C to +80 °C

#### Dimensions



Errors and omissions excepted.