



Accessories for magnetic sensors

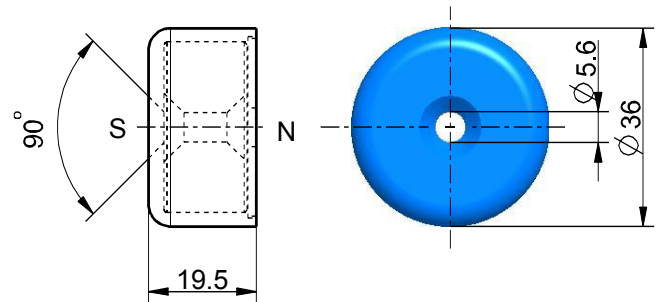
Actuating magnet M 300 S

Material no.: 1042618 (material no. old: 05.00.8210)

Product features

- Thermoplastic enclosure polyamid 6.6, blue S
- Magnet: Barium ferrite
- Temperature resistant from -40 °C to +80 °C

Dimensions



Errors and omissions excepted.