

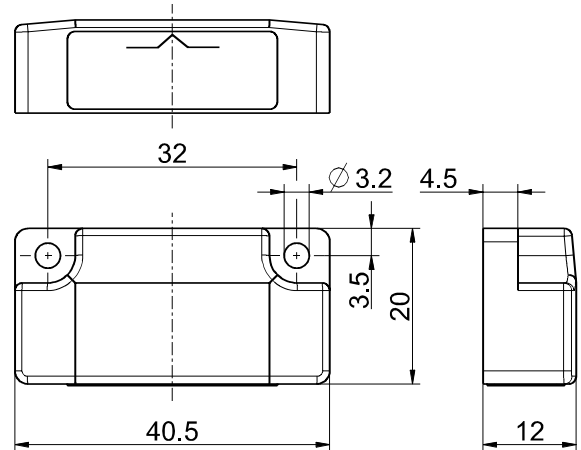


## Accessories for Ex HS Si 4 Actuating magnet coded Ex MC 4/90° Material no.: 1184680 (material no. old: 05.00.8229)

### Product features

- Actuator for Ex HS Si 4
- Enclosure: glass-fibre reinforced thermoplastic, self-extinguishing
- Magnet: NdFeB
- Temperature resistant from -20 °C to +70 °C
- Actuator attached to the sensor at a 90° angle

### Dimensions



### Mounting position



Errors and omissions excepted.