



Accessories for Ex AZM 415 / Ex AZP 415

Actuator AZM 415-B30-07

Material no.: 1172019 (material no. old: 01.08.0184)

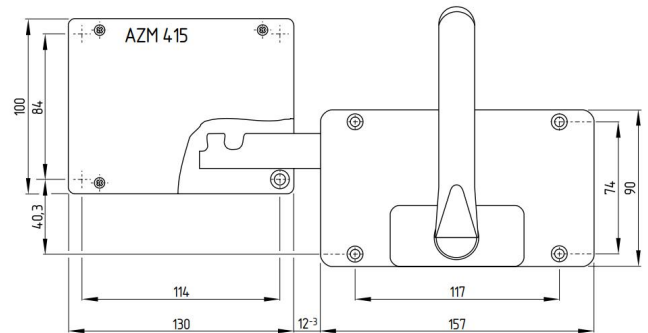
Product features

- Suitable for all guard types
- Hinge radius not to be observed
- No further handles/levers required on the guard
- Latching actuating handle
- Shearing force 25,000 N
- Lockout tag SZ 415-1 or SZ 415-2 available to prevent unintentional closing
- For door thickness max. 100 mm
- For mounting screws M6

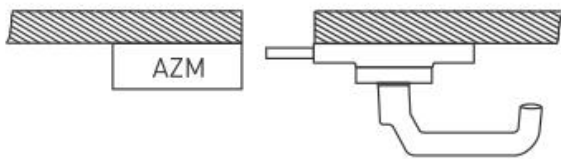
Notes

- Door hinge on right-hand side
- Actuator mounted outside, see yellow marking in drawing

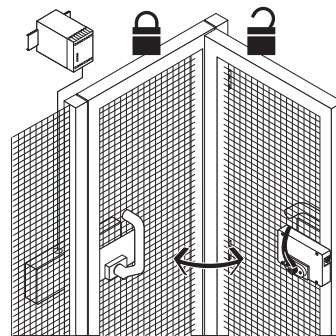
Dimensions



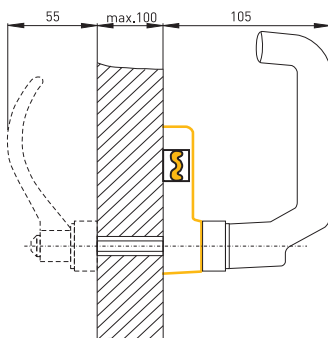
Mounting AZM 415-B30-07



Actuator AZM 415-B30



Actuator mounted outside



Errors and omissions excepted.