



Accessories for Ex AZM 415 / Ex AZP 415

Actuator AZM 415-B30-06

Material no.: 1186306 (material no. old: 01.08.0262)

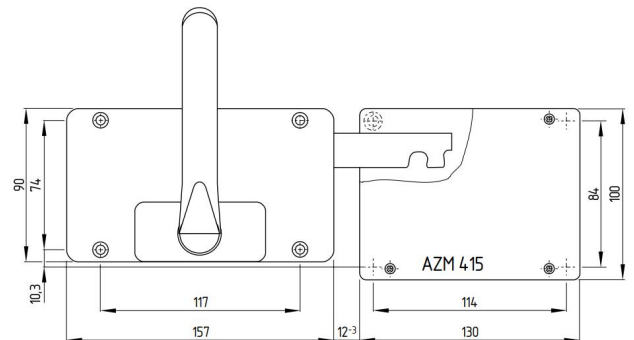
Product features

- Suitable for all guard types
- Hinge radius not to be observed
- No further handles/levers required on the guard
- Latching actuating handle
- Emergency handle to open guard from within the guarded area:
1. Press push button, 2. Turn emergency handle
- Shearing force 25,000 N
- Lockout tag SZ 415-1 or SZ 415-2 available to prevent unintentional closing
- For door thickness max. 100 mm
- For mounting screws M6

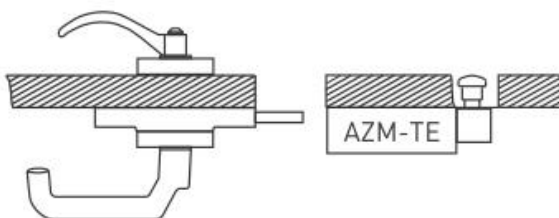
Notes

- Door hinge on left-hand side
- Actuator mounted outside, see yellow marking in drawing
- Only to be used in combination with Ex AZM 415 TE

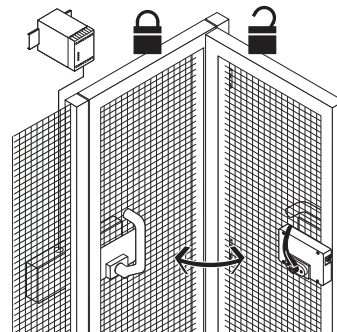
Dimensions



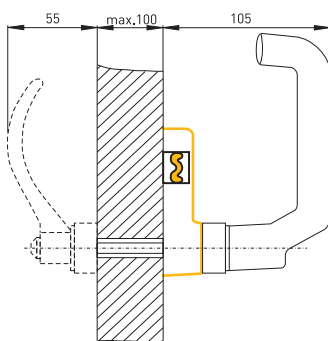
Mounting AZM 415-B30-06



Actuator AZM 415-B30



Actuator mounted outside



Errors and omissions excepted.