



Accessories for ST 14 / Ex ST 14 Flexible actuator ST 14-B3

Article no.: 1040842 (old article no.: 04.14.8203)

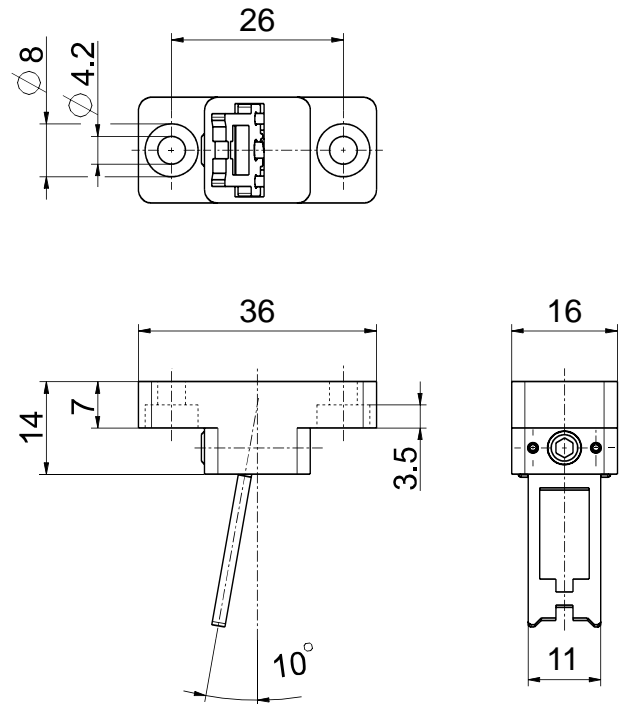
Product features

- Especially suitable for hinged guards
- Stainless steel 1.4301
- Actuating radius on hinged guards:
Axial misalignment $x = 14$ mm; $a = \text{min. } 90$ mm
Axial misalignment $x = 0$ mm; $a = \text{min. } 50$ mm

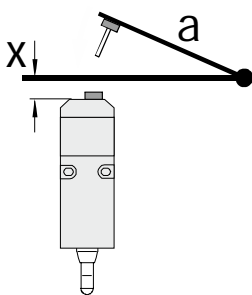
Notes

- 1 slot sealing plug is included in delivery.

Dimensions



Actuating radius narrow edge



The axis of the hinge should be x mm above the top edge of the safety switch and in the same plane.

a = Actuating radius to the plane of the actuator

x = Axial misalignment

Attention! x must be referred to the surface of the enclosure and not to the inserted actuator!

Errors and omissions excepted.