



Accessories for wireless universal transmitters

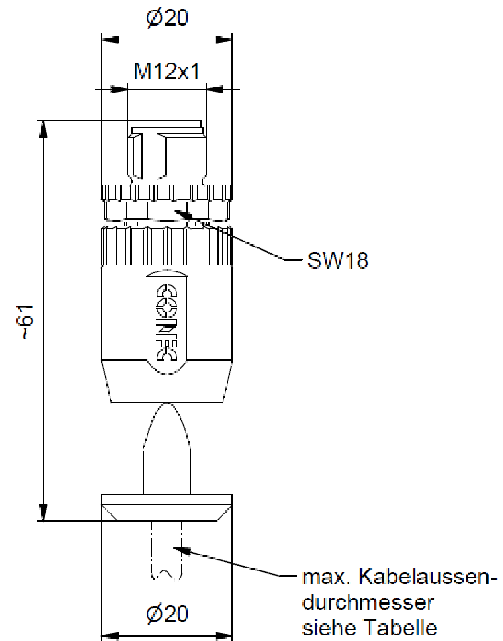
Connector 4-pole M12 x 1 straight

Article no.: 1304201

Product features

- Plug-in connector M12 x 1, 4-pole, A-coded
- Suitable for wireless universal transmitter RF I/O
- To be field-wired
- With screw connection

Dimensions



Technical data

Degree of protection
IP67, only with screws tightened

Mechanical life
min. 100 mating cycles

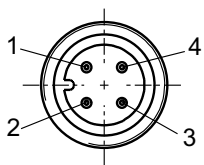
Degree of pollution
3

Cable diameter
4 ... 8 mm

Ambient temperature
-30 °C ... +85 °C

Weight
20 g

Pin assignment



Errors and omissions excepted.