



Wireless actor with 4 outputs - 24 VDC RF Rx SW922-NET-4S-A Material no.: on request

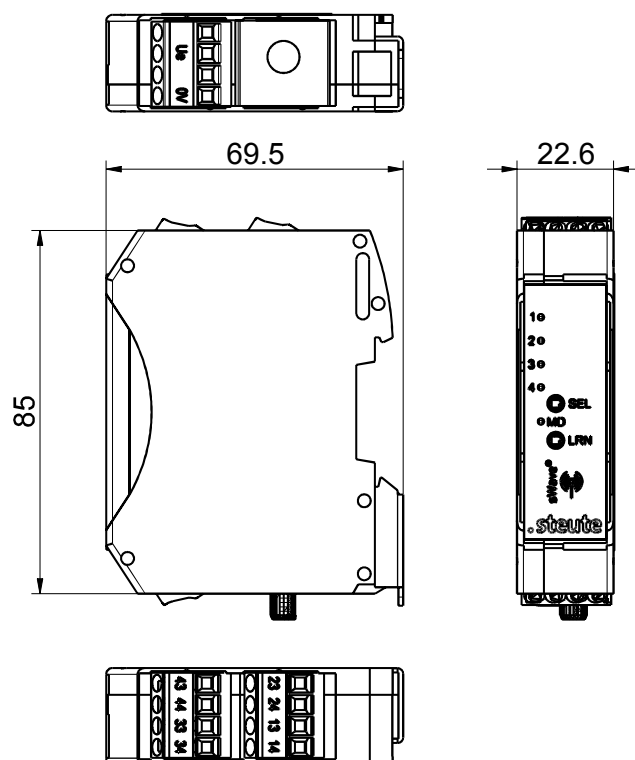
Product features

- sWave.NET® wireless technology
- 4 potential-free relay outputs
- Simple operation and integration in existing ERP systems via Sensor Bridge
- LEDs for indication of switching state
- SMA plug-in connector for external antenna

Notes

- External antenna always required for optimum wireless range

Dimensions



General technical data

Applied standards

EN 60947-5-1, EN 61000-6-2, EN 61000-6-3, EN 61000-4-2, EN 61000-4-4, EN 61000-4-5, EN 61000-4-6, EN 60068-2-6, EN 60068-2-27, EN 301 489-1, EN 301 489-3, EN 300 220-1, EN 300 220-2

Enclosure

thermoplastic, glass-fibre reinforced, shockproof, self-extinguishing UL 94 V-0

Degree of protection

IP20 (IEC/EN 60529)

Number of channels

4

Mounting

DIN rail mounting

Connection

screw connection terminals 0.14 mm² - 2,5 mm², stripping length 8 mm

Inputs

2 additional push buttons (SEL, LRN)

Outputs

4 NO contacts (relay)

Current absorption

max. 0.02 A (standby current), up to max. 0.1 A (4 relays energised)

Rated operating current/voltage I_e/U_e

max. 0.1 A/24 VDC -15 % ... +10 %;
output contacts: 3 A/250 VAC; 3 A/24 VDC

Utilisation category

AC-15; DC-13

Rated insulation voltage U_i

250 VAC

Rated impulse withstand voltage U_{imp}

2.5 kV

Display

green LED: ready for operation,
orange LED: signalling of switching state

Operation cycles

max. 12000 telegrams with repetitions/h

Errors and omissions excepted.



Wireless actor with 4 outputs - 24 VDC RF Rx SW922-NET-4S-A Material no.: on request

General technical data (contd.)

Degree of pollution

2

Ambient temperature

0 °C ... +55 °C

Storage and shipping temperature

-25 °C ... +85 °C

Note

Inductive loads (contactors, relays etc.) are to be suppressed by suitable circuitry.
Switching contacts are not suitable for capacitive loads.

Wireless approvals

Japan:  ARIB STD-T108: 204-610002

Wireless technology

Protocol

sWave.NET®

Frequency

916.5 MHz (Japan)

Transmission power

< 1 mW

Data rate

66 kbps

Channel bandwidth

520 kHz

Wireless range

max. 230 m outdoors, max. 25 m indoors