



Andon push button RF MAKD 3F SW922-NET Material no.: on request

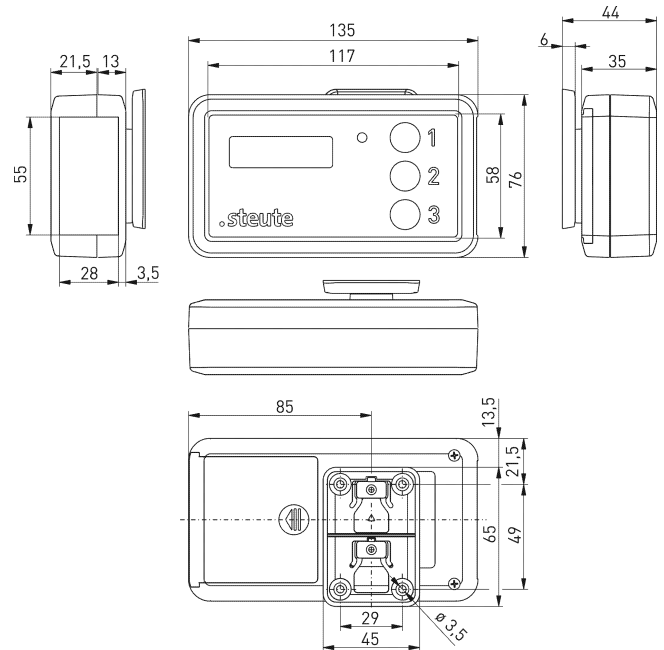
Product features

- sWave.NET® wireless technology
- Thermoplastic enclosure
- With 3 buttons and display

Notes

- The front foil is resistant to alcohol, ester, dilute acids, dilute alkalis, solvents, ketones and household cleaning agents.

Dimensions



General technical data

Applied standards

EN 60947-5-1, EN 61000-6-2, EN 61000-6-3, EN 61000-4-2, EN 301 489-1, EN 301 489-3, EN 300 220-1, EN 300 220-2

Enclosure

ABS, self-extinguishing UL 94 V-0

Degree of protection

IP40 to IEC/EN 60529

Voltage source

3 x batteries Mignon/AA/LR6 (replaceable)

Battery life

up to 7 years, depending on switching frequency and activity time of the display


Display

monochrome, high-contrast, 2x16 characters for individual text

Ambient temperature

-10 °C ... +60 °C

Wireless approvals

Japan:  ARIB STD-T108: 204-610002

Wireless technology

Protocol

sWave.NET®

Frequency

916.5 MHz (Japan)

Transmission power

< 1 mW

Data rate

66 kbps

Channel bandwidth

520 kHz

Wireless range

max. 150 m outdoors, max. 20 m indoors

Errors and omissions excepted.