



Universal transmitter with external power supply - 4 port RF I/O SW917-4E-Vcc-ext-NET Article no.: on request

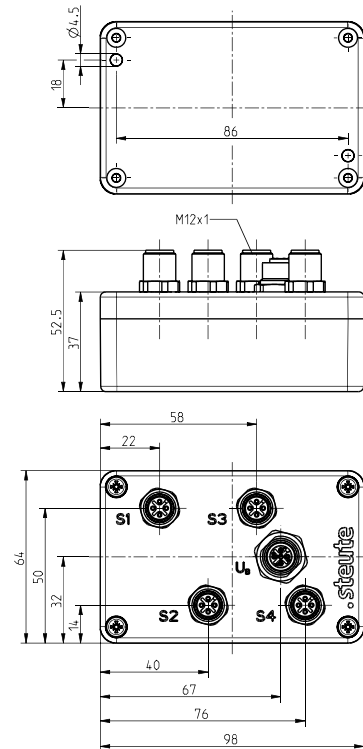
Product features

- Thermoplastic enclosure
- sWave® wireless technology
- No wiring and pipe laying required
- External power supply via M12 female plug-in connector
- Configurable online via wireless interface

Notes

- The RF I/O may be used in combination with wireless inductive sensor RF IS
- Connection of external switching contact (potentialfree contact) with gold contacts possible.

Dimensions



General technical data

Applied standards

EN 60947-5-1, EN 61000-6-2, EN 61000-6-3, EN 61000-4-2, EN 61000-4-4, EN 61000-4-5, EN 61000-4-6, EN 301 489-1, EN 301 489-3, EN 300 220-1, EN 300 220-2

Enclosure

ABS

Degree of protection

IP67 (IEC/EN 60529)

Voltage source

24 VDC

Connection

Sensors: plug-in connector 4 x M12 x 1, 4-pole
power supply: 1 x M12 female plug-in connector

Ambient temperature

-20 °C ... +65 °C

Operation cycles

max. 12000 telegrams with repetitions/h

Switching frequency

max. 5 Hz

Rated operating voltage range U_B

18 ... 30 VDC Pin 1 and Pin 3, connector M12

Rated insulation voltage U_i

75 VDC

Rated impulse withstand voltage U_{imp}

0.5 kV

Rated operating current I_e

2.5 mA

Voltage drop $U_e - U_a$

3.5 V with 4 x 50 mA sensor current

Load current

max. 50 mA per sensor connection

Switching points

> 5 VDC (E1 - E4)

Actuating time

min. 80 ms

Wireless approvals

Brazil: ANATEL 04172-18-06718

Errors and omissions excepted.



Universal transmitter with external power supply - 4 port RF I/O SW917-4E-Vcc-ext-NET Article no.: on request

General technical data (contd.)

Mounting
screws M4

Wireless technology

Protocol
sWave.NET®

Frequency
917 MHz (Brazil)

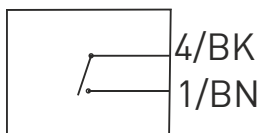
Transmission power
< 25 mW

Data rate
66 kbps

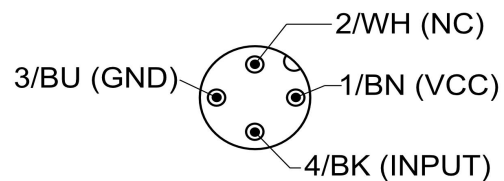
Channel bandwidth
550 kHz

Wireless range
max. 450 m outdoors, max. 40 m indoors

External switch contact



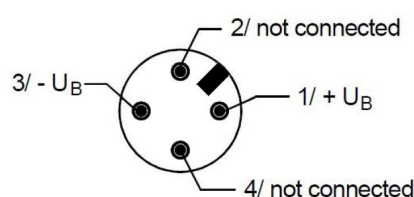
Plug-in configuration



Colour coding only valid for
coupling 4-poles mat. no. 1215497 and
coupling 4-poles mat. no. 1262873

Plug-in configuration / Power supply

M12 x 1
1 BN +U_B
2 WH NC
3 BU -U_B
4 BK NC



Errors and omissions excepted.