



Universal transmitter - 4 port RF I/O SW868-NET Article no.: 1469645

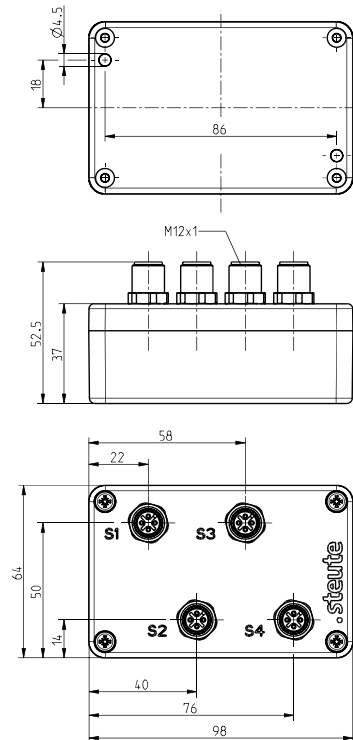
Product features

- Thermoplastic enclosure
- sWave.NET® wireless technology
- No wiring and pipe laying required
- Power supply by Lithium battery
- Configurable online via wireless interface

Notes

- The RF I/O may be used in combination with wireless inductive sensor RF IS or wireless magnetic sensor RF RC M10.
- Connection of external switching contact (potentialfree contact) with gold contacts possible.

Dimensions



General technical data

Applied standards

EN 60947-5-1, EN 61000-6-2, EN 61000-6-3, EN 301 489-1, EN 301 489-3, EN 300 220-1, EN 300 220-2

Enclosure

ABS

Degree of protection

IP67 (IEC/EN 60529)

Connection

4 x plug-in connector M12 x 1, 4-pole

Connectable devices

RF IS M8, RF IS M12, RF IS M18, RF IS M30, RF RC M10, external switches using the coupling with connecting cable 1215497 or 1262873

Ambient temperature

-20 °C ... +65 °C

Operation cycles

max. 12000 telegrams with repetitions/h

Switching frequency

max. 5 Hz

Standby current

60 µA

Actuating time

min. 80 ms

Note

transmission of battery voltage and switching condition

Wireless approvals

Europe: RED 2014/53/EU

Mounting

screws M4

Weight

200 g

Errors and omissions excepted.



Universal transmitter - 4 port RF I/O SW868-NET Article no.: 1469645

Wireless technology

Protocol
sWave.NET®

Frequency
868.3 MHz (Europe)

Transmission power
< 25 mW

Data rate
66 kbps

Channel bandwidth
350 kHz

Wireless range
max. 450 m outdoors, max. 40 m indoors

Voltage supply

Voltage source
lithium battery Tadiran SL-760 (replaceable)

System
Li/SOCl₂

Nominal voltage
3.6 V

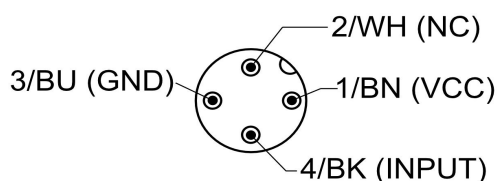
Nominal capacity
2.2 Ah

Battery life – magnetic sensor / external contact
depending on the switching frequency
mainly not activated
10 s: approx. 3.2 years; 100 s: approx. 4.1 years; 1,000 s: approx. 4.2 years
mainly activated
10 s: approx. 2.0 years; 100 s: approx. 2.4 years; 1,000 s: approx. 2.4 years

Battery life – inductive sensor 1 x
depending on the switching frequency
mainly not activated
10 s: approx. 0.8 years; 100 s: approx. 0.9 years; 1,000 s: approx. 0.9 years
mainly activated
10 s: approx. 1.3 years; 100 s: approx. 1.5 years; 1,000 s: approx. 1.5 years

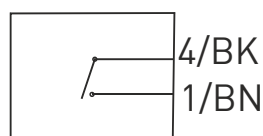
Battery life – inductive sensor 4 x
depending on the switching frequency
mainly not activated
10 s: approx. 0.3 years; 100 s: approx. 0.3 years; 1,000 s: approx. 0.3 years
mainly activated
10 s: approx. 0.5 years; 100 s: approx. 0.5 years; 1,000 s: approx. 0.5 years

Plug-in configuration



Colour coding only valid for
coupling 4-poles mat. no. 1215497 and
coupling 4-poles mat. no. 1262873

External switch contact



Errors and omissions excepted.