



## Universal transmitter - 1 port RF 96 ST SW915-NET Article no.: on request

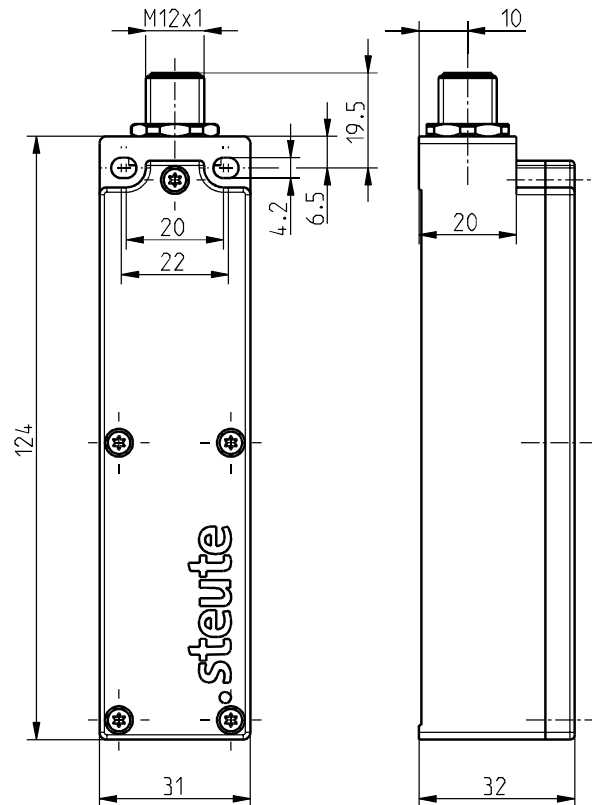
### Product features

- sWave.NET® wireless technology
- Cable-free - with cost savings for installation and maintenance
- Configurable online via wireless interface
- Simple operation and integration in existing ERP systems via Sensor Bridge
- High scalability - up to several hundred sensors in one application
- Battery life approx. 10 years
- Plug-in connector M12

### Notes

- The battery must be ordered separately

### Dimensions



### General technical data

#### Applied standards

EN 60947-5-1, EN 61000-6-2, EN 61000-6-3, EN 61000-4-2, EN 301 489-1, EN 301 489-3, EN 300 220-1, EN 300 220-2

#### Enclosure

thermoplastic, glass-fibre reinforced, shockproof, self-extinguishing UL 94 V-0

#### Tightening torque

M4 enclosure mounting screws: max 1.2 Nm  
M2.5 cover screws: approx. 0.45 Nm

#### Degree of protection

IP67 (IEC/EN 60529)

#### Connection

plug-in connector M12 x 1, 4-pole

#### Connectable devices

RF IS M8, RF IS M12, RF IS M18, RF IS M30, RF RC M10, external switches using the coupling with connecting cable 1215497 or 1262873

#### Ambient temperature

-20 °C ... +65 °C

#### Operation cycles

max. 12000 telegrams with repetitions/h

#### Actuating time

min. 80 ms

#### Note

transmission of battery voltage and switching condition

#### Wireless approvals

USA: FCC - XK5-RFRXSW915  
Canada: IC - 5158A-RFRXSW915  
Mexico: IFT - RCPSTRF17-1886

Errors and omissions excepted.



## Universal transmitter - 1 port RF 96 ST SW915-NET Article no.: on request

### Wireless technology

---

<b>Protocol</b> sWave.NET®	<b>Data rate</b> 66 kbps
<b>Frequency</b> 915 MHz (USA, Canada, Mexico, Australia)	<b>Channel bandwidth</b> 550 kHz
<b>Transmission power</b> < 25 mW	<b>Wireless range</b> max. 450 m outdoors, max. 40 m indoors

### Voltage supply

---

<b>Voltage source</b> lithium battery Tadiran TL-5920 (replaceable), alternatively SL-2770	<b>Nominal voltage</b> 3.6 V
<b>System</b> Li/SOCl <sub>2</sub>	<b>Nominal capacity</b> 8.5 Ah

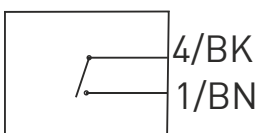
### Alternative voltage supply

---

<b>Voltage source</b> lithium battery Tadiran SL-2770 (replaceable)	<b>Battery life – magnetic sensor / external contact</b> depending on the switching frequency <b>mainly not activated</b> 10 s: >10 years (max. manufacturer's specification of storage life)
<b>System</b> Li/SOCl <sub>2</sub>	<b>mainly activated</b> 10 s: >10 years (max. manufacturer's specification of storage life)
<b>Nominal voltage</b> 3.6 V	
<b>Nominal capacity</b> 8.5 Ah	
<b>Battery life – inductive sensor</b> depending on the switching frequency <b>mainly not activated</b> 10 s: approx. 3.6 years; 100 s: approx. 3.8 years; 1.000 s: approx. 3.9 years	
<b>mainly activated</b> 10 s: approx. 7.4 years; 100 s: approx. 8.6 years; 1.000 s: approx. 8.7 years	

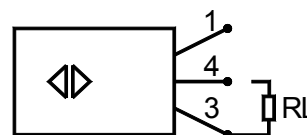
### External switch contact

---



### Sensors

---



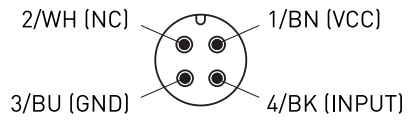
Errors and omissions excepted.



Universal transmitter - 1 port  
RF 96 ST SW915-NET  
Article no.: on request

## Plug-in configuration

---



NC = not connected

Colour coding only valid for  
coupling 4-poles mat. no. 1215497 and  
coupling 4-poles mat. no. 1262873