

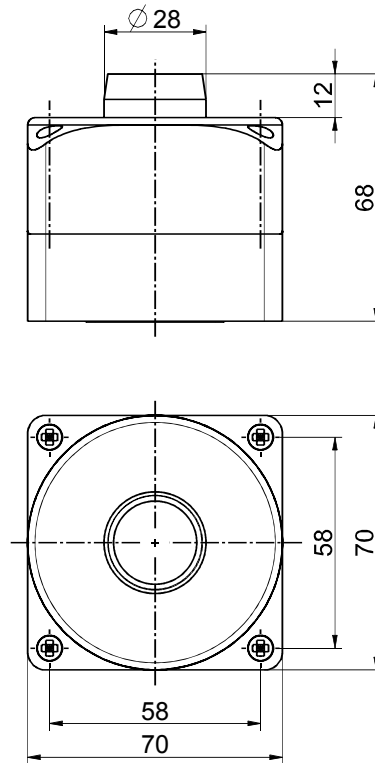


## Command device with 1 push button RF BF 74 RT SW868-NET Article no.: 1432574

### Product features

- Thermoplastic enclosure
- sWave.NET® wireless technology
- No wiring and pipe laying required
- Configurable online via wireless interface
- Power supply by Lithium battery (replaceable)
- Actuator: Push button RT
- Actuator made of plastic

### Dimensions



### General technical data

#### Applied standards

EN 60947-5-1, EN 61000-6-2, EN 61000-6-3, EN 61000-4-2, EN 301 489-1, EN 301 489-3, EN 300 220-1, EN 300 220-2

#### Enclosure

polycarbonate

#### Tightening torque

cover screws: approx. 1.6 Nm

#### Degree of protection

IP65 (IEC/EN 60529)

#### Ambient temperature

-20 °C ... +65 °C

#### Operation cycles

max. 12000 telegrams with repetitions/h

#### Mechanical life

800 000 operations

#### Actuating time

min. 80 ms

#### Note

transmission of battery voltage and switching condition

#### Wireless approvals

Europe: RED 2014/53/EU

#### Weight

140 g

Errors and omissions excepted.



## Command device with 1 push button RF BF 74 RT SW868-NET Article no.: 1432574

### Wireless technology

---

**Protocol**  
sWave.NET®

**Frequency**  
868.3 MHz (Europe)

**Transmission power**  
< 25 mW

**Data rate**  
66 kbps

**Channel bandwidth**  
350 kHz

**Wireless range**  
max. 450 m outdoors, max. 40 m indoors

### Voltage supply

---

**Voltage source**  
lithium battery Tadiran SL-750/S (replaceable)

**System**  
Li/SOCl<sub>2</sub>

**Nominal voltage**  
3.6 V

**Nominal capacity**  
1.1 Ah

**Battery life**  
depending on the switching frequency  
10 s: ca. 1.5 years  
1 min: ca. 7.5 years  
manufacturer's specification of max. storage life

### Colour plate selection for RT (included in delivery of RT)

