



## Position switch with spring-rod lever RF 96 DF/90° SW868-NET Material no.: 1452425

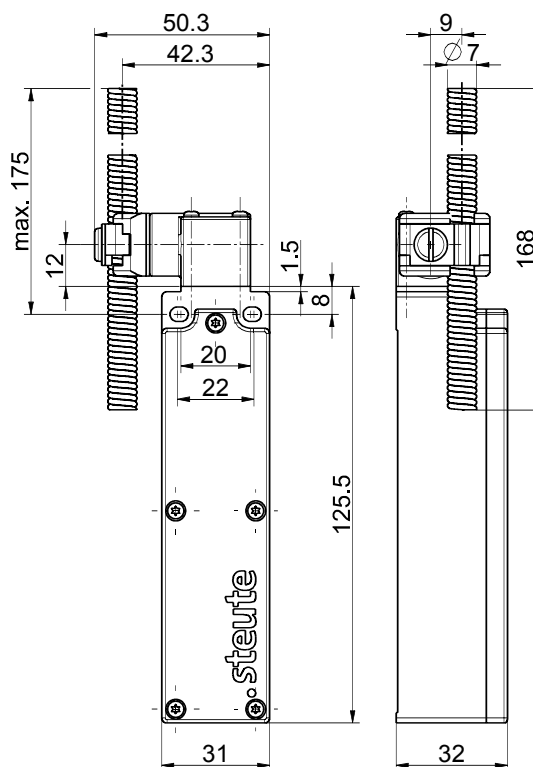
### Product features

- sWave.NET® wireless technology
- Cable-free - with cost savings for installation and maintenance
- Configurable online via wireless interface
- Simple operation and integration in existing ERP systems via Sensor Bridge
- High scalability - up to several hundred sensors in one application
- Battery life approx. 10 years
- Actuator: Spring-rod lever DF
- Lever angle adjustable in 10° steps
- Actuator can be repositioned by 4 x 90°

### Notes

- Factory delivery with battery type SL-760 (AA)

### Dimensions



### General technical data

#### Applied standards

EN 60947-5-1, EN 61000-6-2, EN 61000-6-3, EN 61000-4-2, EN 301 489-1, EN 301 489-3, EN 300 220-1, EN 300 220-2

#### Enclosure

thermoplastic, glass-fibre reinforced, shockproof, self-extinguishing UL 94 V-0

#### Tightening torque

M4 enclosure mounting screws: max 1.2 Nm  
M2.5 cover screws: approx. 0.45 Nm

#### Degree of protection

IP67 (IEC/EN 60529)

#### Ambient temperature

-20 °C ... +65 °C

#### Operation cycles

max. 12000 telegrams with repetitions/h

#### Actuating time

min. 80 ms

#### Mechanical life

> 1 million operations

#### Note

transmission of battery voltage and switching condition

#### Wireless approvals

Europe: RED 2014/53/EU

#### Weight

200 g

### Wireless technology

#### Protocol

sWave.NET®

#### Frequency

868.3 MHz (Europe)

Errors and omissions excepted.



## Position switch with spring-rod lever RF 96 DF/90° SW868-NET Material no.: 1452425

### Wireless technology (contd.)

---

**Transmission power**  
< 25 mW

**Data rate**  
66 kbps

**Channel bandwidth**  
350 kHz

**Wireless range**  
max. 450 m outdoors, max. 40 m indoors

### Voltage supply

---

**Voltage source**  
lithium battery Tadiran SL-2770 (replaceable)

**System**  
Li/SOCl<sub>2</sub>

**Nominal voltage**  
3.6 V

**Nominal capacity**  
8.5 Ah

**Battery life**  
depending on the switching frequency, at 6x/minute: > 10 years

### Alternative voltage supply

---

**Voltage source**  
lithium battery Tadiran SL-760 (replaceable)

**System**  
Li/SOCl<sub>2</sub>

**Nominal voltage**  
3.6 V

**Nominal capacity**  
2.2 Ah

**Battery life**  
depending on the switching frequency, at 6x/minute: 3.5 years