



Position switch with rocking lever RF 96 DL/90° SW917-NET Material no.: 1240463

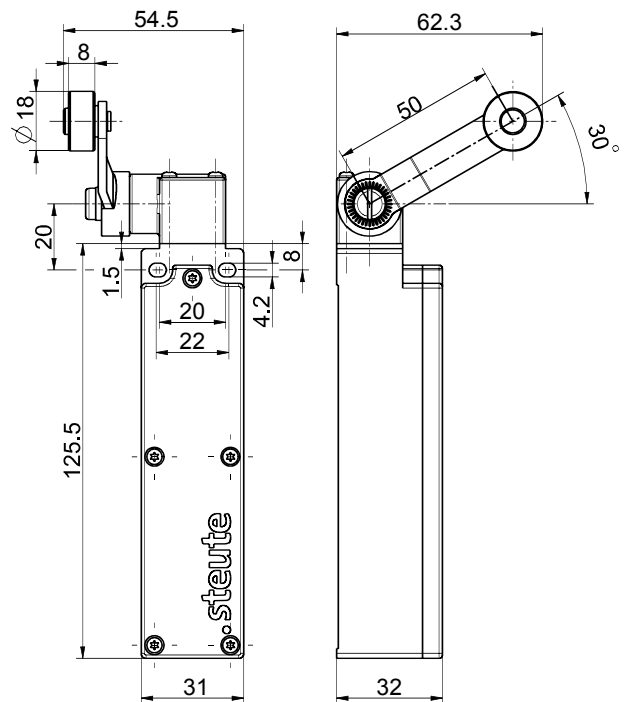
Product features

- sWave.NET® wireless technology
- Cable-free - with cost savings for installation and maintenance
- Configurable online via wireless interface
- Simple operation and integration in existing ERP systems via Sensor Bridge
- High scalability - up to several hundred sensors in one application
- Battery life approx. 10 years
- Actuator: Long rocking lever DL
- Lever angle adjustable in 10° steps
- Wear-resistant plastic roller
- Actuator can be repositioned by 4 x 90°

Notes

- With metal roller available on request
- The battery must be ordered separately

Dimensions



General technical data

Applied standards

EN 60947-5-1, EN 61000-6-2, EN 61000-6-3, EN 61000-4-2, EN 301 489-1, EN 301 489-3, EN 300 220-1, EN 300 220-2

Enclosure

thermoplastic, glass-fibre reinforced, shockproof, self-extinguishing UL 94 V-0

Tightening torque

M4 enclosure mounting screws: max 1.2 Nm
M2.5 cover screws: approx. 0.45 Nm

Degree of protection

IP67 (IEC/EN 60529)

Ambient temperature

-20 °C ... +65 °C

Operation cycles

max. 12000 telegrams with repetitions/h

Mechanical life

> 1 million operations

Actuating time

min. 80 ms

Note

transmission of battery voltage and switching condition

Wireless approvals

Brazil: ANATEL 04172-18-06718

Weight

113 g

Wireless technology

Protocol

sWave.NET®

Frequency

917 MHz (Brazil)

Transmission power

< 25 mW

Data rate

66 kbps

Errors and omissions excepted.



Position switch with rocking lever RF 96 DL/90° SW917-NET Material no.: 1240463

Wireless technology (contd.)

Channel bandwidth
550 kHz

Wireless range
max. 450 m outdoors, max. 40 m indoors

Voltage supply

Voltage source
lithium battery Tadiran TL-5920 (replaceable), alternatively
SL-2770

Nominal voltage
3.6 V

System
Li/SOCl₂

Nominal capacity
8.5 Ah

Alternative voltage supply

Voltage source
lithium battery Tadiran SL-2770 (replaceable)

Nominal capacity
8.5 Ah

System
Li/SOCl₂

Battery life
depending on the switching frequency, at 6x/minute: > 10
years

Nominal voltage
3.6 V