



Access Point RF RxT SW917-NET Material no.: 1460558

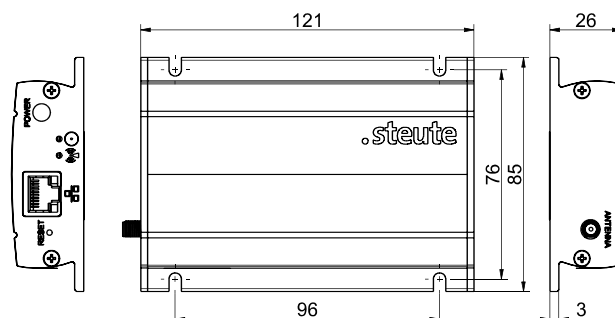
Product features

- sWave.NET® wireless technology
- Simple set-up
- Unlimited spatial expandability
- Long transmission range (700 m outdoors, approx. 50 m indoors)
- Minimal configuration required due to dynamic self-organisation
- SMA reverse plug-in connector for external antenna

Notes

- External antenna always required for optimum wireless range

Dimensions



Technical data

Applied standards

EN 60947-5-1, EN 61000-6-2, EN 61000-6-3, EN 61000-4-2, EN 61000-4-4, EN 61000-4-5, EN 61000-4-6, EN 60068-2-6, EN 60068-2-27

Degree of protection

IP20 (IEC/EN 60529)

Frequency

917 MHz (Brazil)

Mounting

screw connection or magnet holder

Connection

plug-in power supply with respective plug connectors

Network interface

10/100 Base-T Ethernet via RJ 45, Cat 5e (S/UTP or F/UTP) or SF/UTP

Software interface

HTTP/XML (see protocol definition)

Rated operating current I_e

max. 0.1 A

Rated operating voltage U_e

24 VDC -15 % ... +10 %

Power dissipation (typ.)

1.2 W (24 VDC; 0.05 A)

Power dissipation (max.)

2.64 W (26.4 VDC; 0.1 A)

Display

Mode LED: ready for operation

RF LED: signalisation of telegram

Degree of pollution

2

Ambient temperature

0 °C ... +55 °C

Storage and shipping temperature

-25 °C ... +85 °C

Vibration resistance

5 g (10-150 Hz)

Wireless approvals

Brazil: ANATEL 04172-18-06718

Weight

345 g