



## Access Point RF RxT SW868-NET Article no.: 1438184

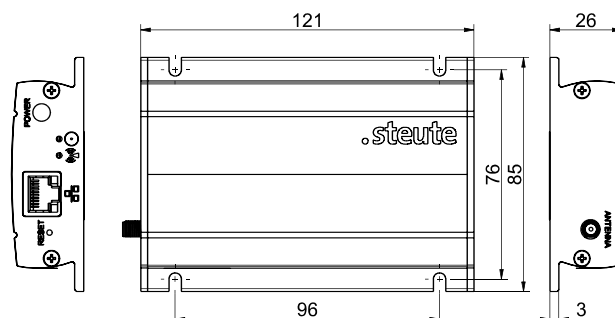
### Product features

- sWave.NET® wireless technology
- Simple set-up
- Unlimited spatial expandability
- Long transmission range (700 m outdoors, approx. 50 m indoors)
- Minimal configuration required due to dynamic self-organisation
- SMA plug-in connector for external antenna

#### Notes

- External antenna always required for optimum wireless range

### Dimensions



### Technical data

#### Applied standards

EN 60947-5-1, EN 61000-6-2, EN 61000-6-3, EN 61000-4-2, EN 61000-4-4, EN 61000-4-5, EN 61000-4-6, EN 60068-2-6, EN 60068-2-27

#### Degree of protection

IP20 (IEC/EN 60529)

#### Frequency

868.3 MHz (Europe)

#### Mounting

screw connection or magnet holder

#### Connection

plug-in power supply with respective plug connectors

#### Network interface

10/100 Base-T Ethernet via RJ 45, Cat 5e (S/UTP or F/UTP) or SF/UTP

#### Software interface

HTTP/XML (see protocol definition)

#### Rated operating current $I_e$

max. 0.1 A

#### Rated operating voltage $U_e$

24 VDC -15 % ... +10 %

#### Power dissipation (typ.)

1.2 W (24 VDC; 0.05 A)

#### Power dissipation (max.)

2.64 W (26.4 VDC; 0.1 A)

#### Display

Mode LED: ready for operation

RF LED: signalisation of telegram

#### Degree of pollution

2

#### Ambient temperature

0 °C ... +55 °C

#### Storage and shipping temperature

-25 °C ... +85 °C

#### Vibration resistance

5 g (10-150 Hz)

#### Wireless approvals

Europe: RED 2014/53/EU

#### Weight

200 g