



Medical multi-function foot switch MFS-MED GP712 Material no.: on request

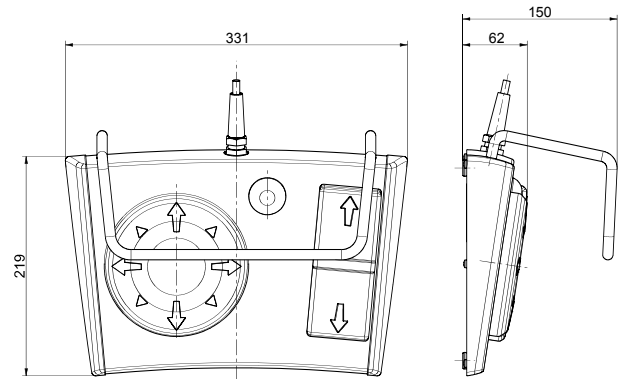
Product features

- Robust plastic housing
- Joypad with joystick function, diagonal switching
- Rocker switch for rapid switching between two functions
- Additional push buttons for extra functionality (optional)
- Stainless steel carrying handle (optional)
- Very easy to clean

Notes

- Photo shows optional accessories

Dimensions



Technical data

Applied standards

IEC 60601-1, ANSI/AAMI ES60601-1, IEC 60529

Enclosure

thermoplastic, shockproof, self-extinguishing UL 94 V-0, RAL 7035

Base plate

stainless steel

Joypad

robust, operating theatre approved silicone, RAL 5005

Rocker switch

robust, operating theatre approved silicone, RAL 5005

Actuator

robust, operating theatre approved silicone, RAL 5005

Degree of protection

IPX8 (IEC/EN 60529)

Switching elements

micro switch

Switching system

1 – 2 NO contacts

Mechanical life

> 1 million operations

Connection

2 m cable, other lengths optionally available

Switching voltage

max. 25 VAC / 60 VDC

Switch-on current

max. 1 A

Switching capacity

max. 30 VA