

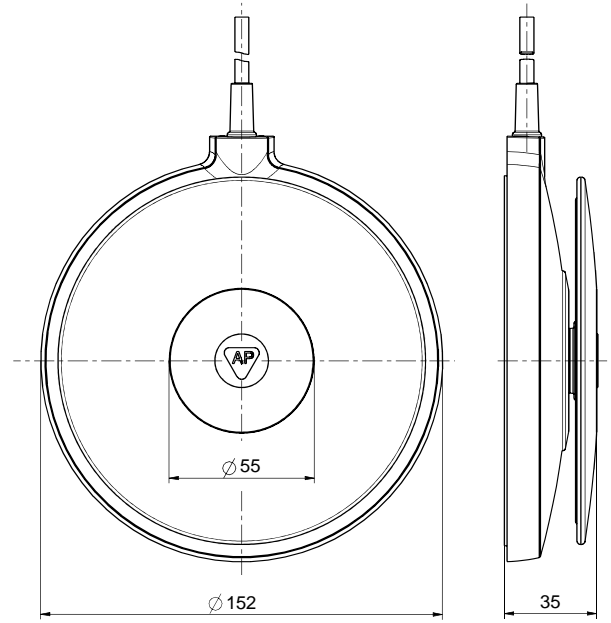


1-pedal medical foot switch RF-MED-2G Material no.: on request

Product features

- Robust die-cast aluminium foot control
- Operable from all sides
- Powder coating
- Waterproof: IPX8 (IEC 60529)
- Digital output signals
- Different RAL colours available

Dimensions



Technical data

Applied standards

IEC 60601-1, ANSI/AAMI ES60601-1, IEC 60529

Switching plate

GD-Al alloy, RAL 7035

Enclosure

GD-Al alloy, RAL 7035

Degree of protection

IPX8 (IEC/EN 60529)

Switching elements

micro switch

Switching system

1 - 2 NO contacts / 1 - 2 change-over contacts

Mechanical life

> 1 million operations

Connection

2 m cable, other lengths optionally available

Switching voltage

max. 25 VAC / 60 VDC

Switch-on current

max. 1 A

Switching capacity

max. 30 VA

Errors and omissions excepted.