



1-pedal medical foot switch MGFS-MED Material no.: on request

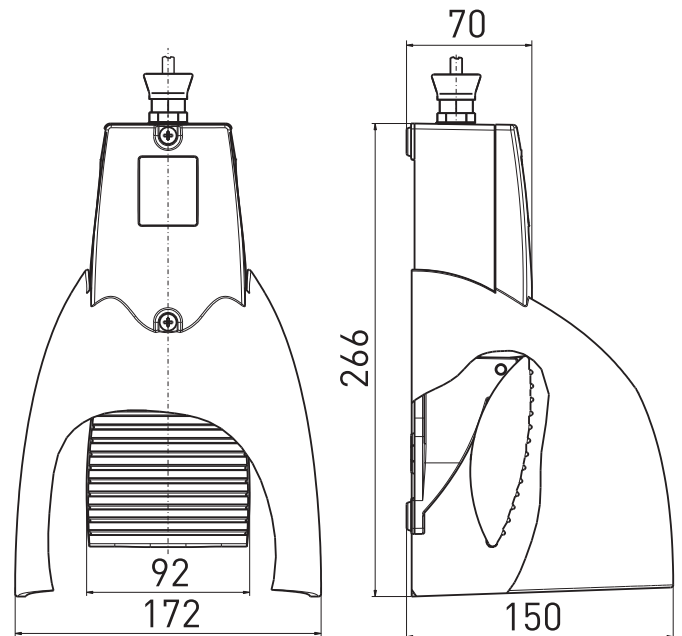
Product features

- Robust die-cast aluminium foot control
- Protective shield prevents unintended actuation (IEC 60601-2-22)
- Powder coating
- Waterproof: IPX8 (IEC 60529)
- Digital or analogue output signals available – variable resistance
- Different RAL colours available

Notes

- Photo shows optional accessories

Dimensions



Technical data

Applied standards

IEC 60601-1, ANSI/AAMI ES60601-1, IEC 60529

Enclosure

GD-Al alloy, RAL 7040

Pedal

GD-Al alloy, RAL 7040

Protective shield

GD-Al alloy, RAL 7035

Degree of protection

IPX8 (IEC/EN 60529)

Switching system

switch insert: 1 NC/1 NO, 2 NC/2 NO
microswitch: 1 change-over contact
potentiometer: 1, 2, 5, 10 kOhm
Hall sensor: HS 0-10 V, 0(4)-20 mA

Mechanical life

> 1 million operations

Connection

2 m cable, other lengths optionally available

Switching voltage

max. 25 VAC / 60 VDC

Switch-on current

max. 1 A

Switching capacity

max. 30 VA

Supply voltage Hall sensor

15 ... 30 VDC / max. 25 mA

Errors and omissions excepted.