

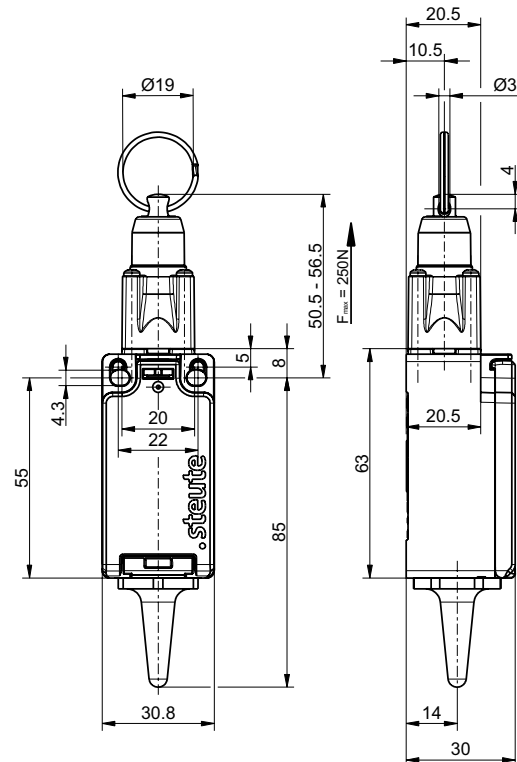


## Wireless pull-wire switch RF 97 Z SW915B Article no.: on request

### Product features

- Thermoplastic enclosure
- Design to EN 50047
- sWave® wireless technology
- Output signal can be individually configured at the receiver
- Power supply by Lithium battery (replaceable)
- LBT - Listen before Talk Firmware
- Available soon

### Dimensions



### General technical data

#### Applied standards

EN 60947-5-1, EN 61000-6-2, EN 301 489-3, EN 300 220-2, EN IEC 63000, EN IEC 62368-1

#### Enclosure

thermoplastic, glass-fibre reinforced, shockproof, self-extinguishing UL 94 V-0, weathering resistant, UV stabilised

#### Degree of protection

IP67 (IEC/EN 60529)

#### Safety class

III

#### Ambient temperature

-25 °C ... +70 °C

#### Operation cycles

max. 1800/h

#### Standby current

3  $\mu$ A

#### Mechanical life

3 million operations

### Wireless technology

#### General

#### Frequency

914.2 MHz (USA, Canada)

#### Data rate

62.5 kbps

#### Channel bandwidth

500 kHz

#### Modulation type

CSS

Errors and omissions excepted.



## Wireless pull-wire switch RF 97 Z SW915B Article no.: on request

### Wireless technology (contd.)

---

**Protocol**  
sWave®

**Wireless approvals**  
USA: FCC - VPYLBAA0QB1SJ  
Canada: IC - 772C-LBAA0QB1SJ

**Function**

**Telegram rate**  
max. 12000 telegrams with repetitions/h

**Transmission power**  
< 25 mW

**Wireless range**  
max. 450 m outdoors, max. 40 m indoors

**Collision avoidance procedure**  
LBT - Listen before Talk software

**Note**  
LBT – can be deactivated via radio receiver (e.g. in conjunction with repeaters)  
status signal – can be individually configured via radio receiver (delivery state: without status signal)  
Go to our different wireless receivers to find corresponding how-to videos.

### Voltage supply

---

**Voltage source**  
lithium battery (replaceable)

**Battery life**  
> 10 years

