

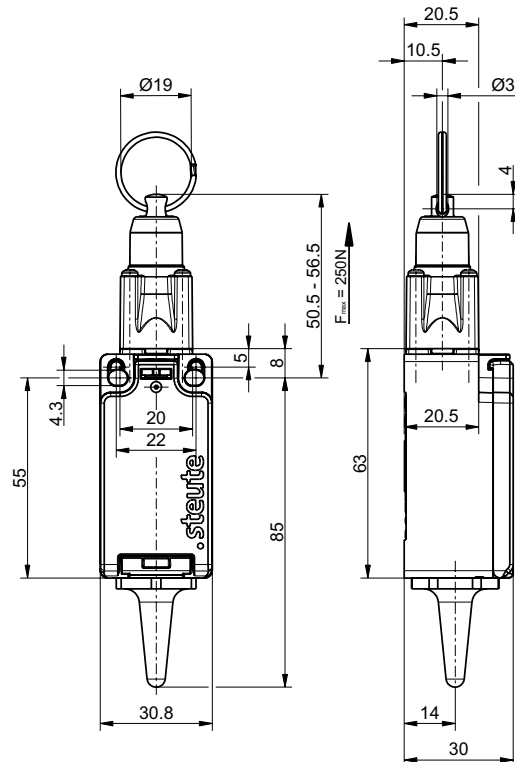


Wireless pull-wire switch RF 97 Z SW868 Article no.: on request

Product features

- Thermoplastic enclosure
- Design to EN 50047
- sWave® wireless technology
- Output signal can be individually configured at the receiver
- Power supply by Lithium battery (replaceable)
- LBT - Listen before Talk Firmware
- Available soon

Dimensions



General technical data

Applied standards

EN 60947-5-1, EN 61000-6-2, EN 301 489-3, EN 300 220-2, EN IEC 63000, EN IEC 62368-1

Enclosure

thermoplastic, glass-fibre reinforced, shockproof, self-extinguishing UL 94 V-0, weathering resistant, UV stabilised

Degree of protection

IP67 (IEC/EN 60529)

Safety class

III

Ambient temperature

$-25\text{ °C} \cdots +70\text{ °C}$

Operation cycles

max. 1800/h

Standby current

$3\text{ }\mu\text{A}$

Mechanical life

3 million operations

Wireless technology

General

Frequency

868.3 MHz (Europe)

Data rate

66 kbps

Channel bandwidth

400 kHz

Modulation type

2-FSK

Errors and omissions excepted.



Wireless pull-wire switch RF 97 Z SW868 Article no.: on request

Wireless technology (contd.)

Protocol
sWave®

Wireless approvals
Europe: RED 2014/53/EU

Function

Telegram rate
max. 12000 telegrams with repetitions/h

Transmission power
< 25 mW

Wireless range
max. 450 m outdoors, max. 40 m indoors

Collision avoidance procedure
LBT - Listen before Talk software

Note
status signal – can be individually configured via radio receiver (delivery state: without status signal)
LBT – can be deactivated via radio receiver (e.g. in conjunction with repeaters)
Go to our different wireless receivers to find corresponding how-to videos.

Voltage supply

Voltage source
lithium battery (replaceable)

Battery life
> 10 years

