



## Wireless pull-wire switch RF 97 WHK/90° SW915B Article no.: on request

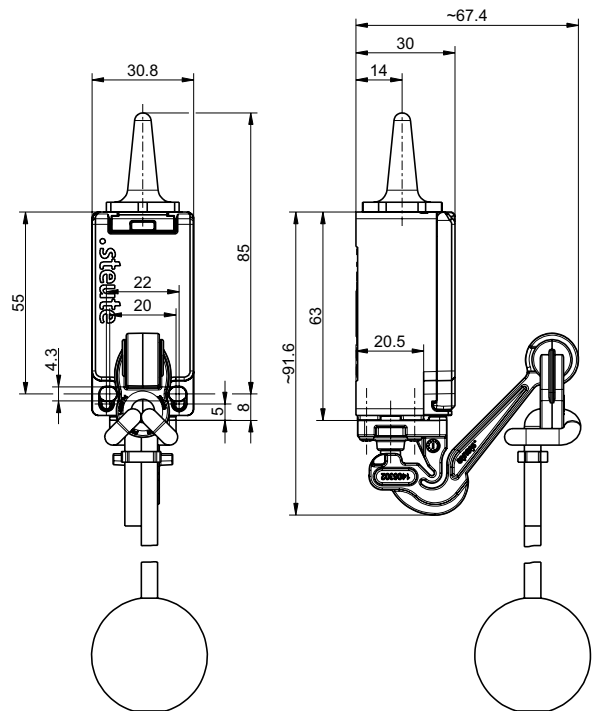
### Product features

- Thermoplastic enclosure
- Design to EN 50047
- sWave® wireless technology
- Output signal can be individually configured at the receiver
- Power supply by Lithium battery (replaceable)
- LBT - Listen before Talk Firmware
- Actuator: Offset roller lever with collar WHK
- Including 3.2 m long pull-wire and ball
- Available soon

### Notes

- The rope is attached to the lever by a clip which releases the rope if overloaded.

### Dimensions



### General technical data

#### Applied standards

EN 60947-5-1, EN 61000-6-2, EN 301 489-3, EN 300 220-2, EN IEC 63000, EN IEC 62368-1

#### Enclosure

thermoplastic, glass-fibre reinforced, shockproof, self-extinguishing UL 94 V-0, weathering resistant, UV stabilised

#### Degree of protection

IP67 (IEC/EN 60529)

#### Safety class

III

#### Ambient temperature

-25 °C ... +70 °C

#### Operation cycles

max. 1800/h

#### Standby current

3 µA

#### Mechanical life

250 000 operations

### Wireless technology

#### General

#### Frequency

914.2 MHz (USA, Canada)

#### Data rate

62.5 kbps

#### Channel bandwidth

500 kHz

#### Modulation type

CSS

#### Protocol

sWave®

#### Wireless approvals

USA: FCC - VPYLBA0QB1SJ

Canada: IC - 772C-LBAA0QB1SJ

Errors and omissions excepted.



## Wireless pull-wire switch RF 97 WHK/90° SW915B Article no.: on request

### Wireless technology (contd.)

---

#### Function

##### Telegram rate

max. 12000 telegrams with repetitions/h

##### Transmission power

< 25 mW

##### Wireless range

max. 450 m outdoors, max. 40 m indoors

##### Collision avoidance procedure

LBT - Listen before Talk software

#### Note

LBT – can be deactivated via radio receiver (e.g. in conjunction with repeaters)

status signal – can be individually configured via radio receiver (delivery state: without status signal)

Go to our different wireless receivers to find corresponding how-to videos.

### Voltage supply

---

#### Voltage source

lithium battery (replaceable)

#### Battery life

> 10 years