



## Wireless pull-wire switch RF 97 WHK/90° SW868 Article no.: on request

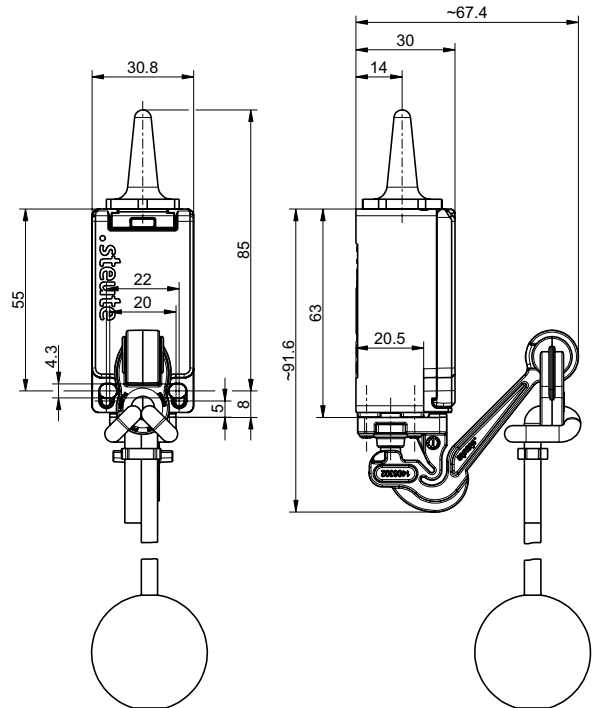
### Product features

- Thermoplastic enclosure
- Design to EN 50047
- sWave® wireless technology
- Output signal can be individually configured at the receiver
- Power supply by Lithium battery (replaceable)
- LBT - Listen before Talk Firmware
- Actuator: Offset roller lever with collar WHK
- Including 3.2 m long pull-wire and ball
- Available soon

### Notes

- The rope is attached to the lever by a clip which releases the rope if overloaded.

### Dimensions



### General technical data

#### Applied standards

EN 60947-5-1, EN 61000-6-2, EN 301 489-3, EN 300 220-2, EN IEC 63000, EN IEC 62368-1

#### Enclosure

thermoplastic, glass-fibre reinforced, shockproof, self-extinguishing UL 94 V-0, weathering resistant, UV stabilised

#### Degree of protection

IP67 (IEC/EN 60529)

#### Safety class

III

#### Ambient temperature

-25 °C ... +70 °C

#### Operation cycles

max. 1800/h

#### Standby current

3 µA

#### Mechanical life

250 000 operations

### Wireless technology

#### General

#### Frequency

868.3 MHz (Europe)

#### Data rate

66 kbps

#### Channel bandwidth

400 kHz

#### Modulation type

2-FSK

#### Protocol

sWave®

#### Wireless approvals

Europe: RED 2014/53/EU

#### Function

Errors and omissions excepted.



## Wireless pull-wire switch RF 97 WHK/90° SW868 Article no.: on request

### Wireless technology (contd.)

---

**Telegram rate**

max. 12000 telegrams with repetitions/h

**Transmission power**

< 25 mW

**Wireless range**

max. 450 m outdoors, max. 40 m indoors

**Collision avoidance procedure**

LBT - Listen before Talk software

**Note**

status signal – can be individually configured via radio receiver (delivery state: without status signal)

LBT – can be deactivated via radio receiver (e.g. in conjunction with repeaters)

Go to our different wireless receivers to find corresponding how-to videos.

### Voltage supply

---

**Voltage source**

lithium battery (replaceable)

**Battery life**

> 10 years